



# RL14235L2DLH

## DIGITAL SIGNAGE REGULAR

42" TFT LCD Display, LED Backlight, 1000nits, FHD(1920x1080)



RL14235L2DLH is an innovative ultra-wide, sunlight readable, LED backlight LCD display. It provides LCD panel with specific ratios for digital signage, public transportation, exhibition hall, department store, vending machine and industrial applications. Incorporating with A.D. control board and backlight design, it is high brightness and sunlight readable panel, can display high-quality video with energy-efficient.



### Features

- Resizing LCD
- Ultra Wide Screen (16 : 9)
- Sunlight Readable
- LED Backlight
- High Brightness 1000 nits
- Low Power Consumption
- Wide Dimming
- Wide Dimming
- Life Expectancy (70,000hrs)
- Slim Bezel

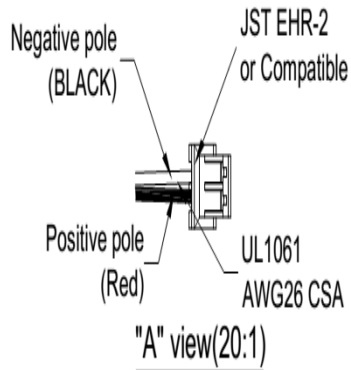
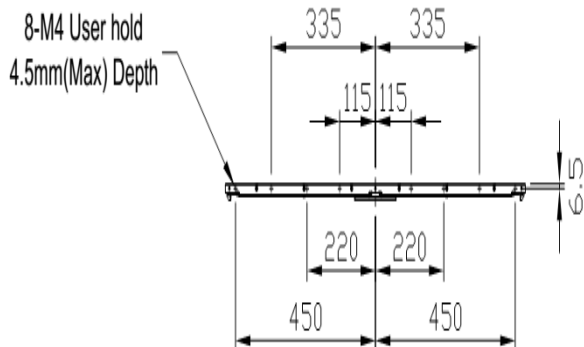
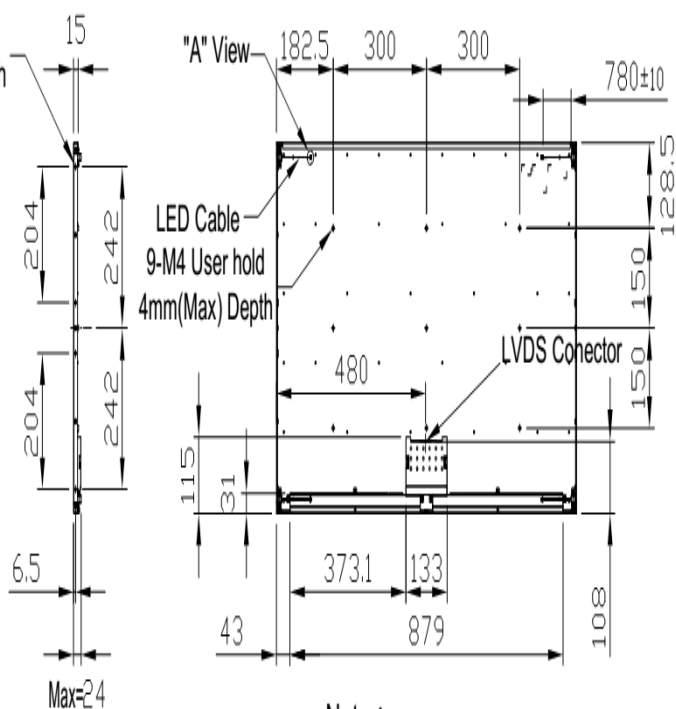
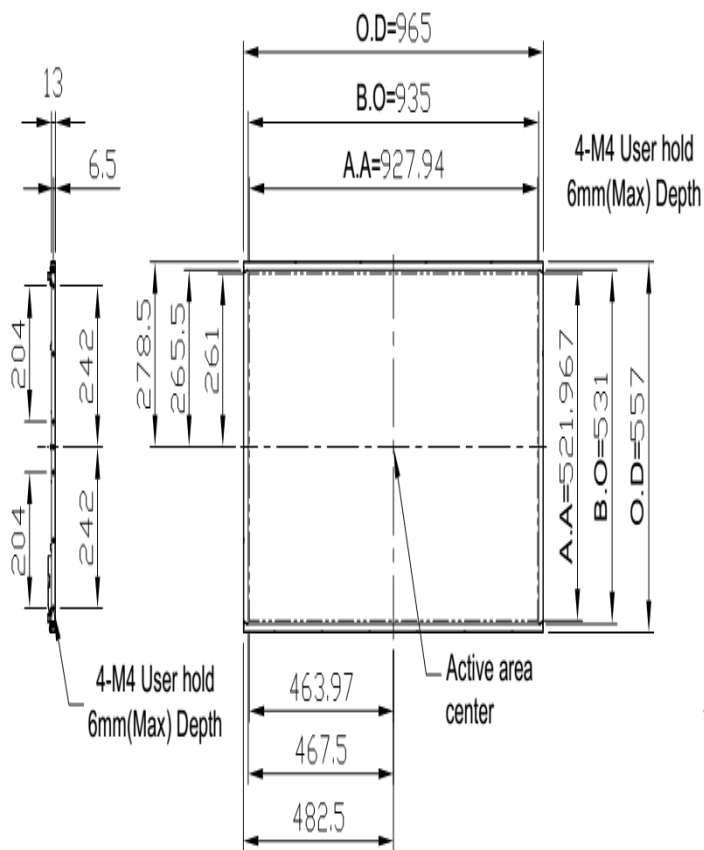
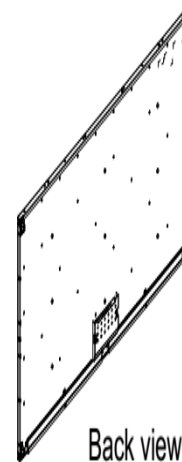
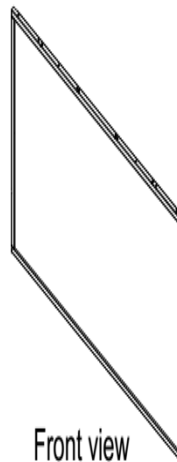
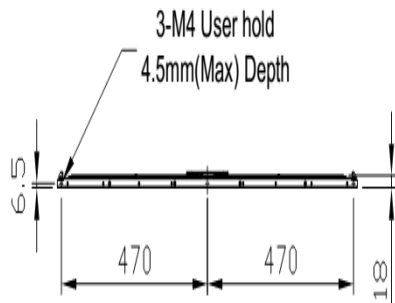
### Applications

- Restaurants
- Hospitality
- Retail
- Government
- Casino/ Entertainment
- Transportation
- Healthcare
- Finance





|                                 |   |
|---------------------------------|---|
| <b>Description</b>              | 42" LCD, 1000 nits LED backlight, 1920x1080             |
| <b>Display Area (mm)</b>        | 927.94 x 521.96mm                                       |
| <b>Brightness</b>               | 1,000 cd/m2   |
| <b>Resolution</b>               | 1920x1080 (FHD)   |
| <b>Aspect Ratio</b>             | 16 : 9  |
| <b>Contrast Ratio</b>           | 1200:1  |
| <b>Pixel Pitch (mm)</b>         | 0.4833 x 0.4833   |
| <b>Pixel Per Inch(PPI)</b>      | 53  |
| <b>Viewing Angle</b>            | 178°(H), 178°(V)  |
| <b>Color Saturation (NTSC)</b>  | 75%   |
| <b>Display Colors</b>           | 16.7M   |
| <b>Response Time (Typical)</b>  | 8 ms  |
| <b>Sync</b>                     | LVDS  |
| <b>Operating Temperature</b>    | 0°C ~+50°C  |
| <b>Storage Temperature</b>      | LVDS  |
| <b>Power Consumption</b>        | 119W  |
| <b>Dimensions (mm)</b>          | 965 x 557 x 24mm  |
| <b>Weight (Net)</b>             | 9.5Kg   |
| <b>LED Driving Board</b>        | LID42   |
| <b>Control Board (Optional)</b> | AD2662GD / AD266GDHMVAR                                 |
| <b>AD2662GDVAR</b>              | VGA + DVI(Optional AV/ S-Video / Component / Audio)     |
| <b>AD2662GDHMAR</b>             | VGA (OptionalDVI/HDMI AV/ S-Video / Component / Audio)  |
| <b>F / R Control Button</b>     | 4Key  |
| <b>4 Key</b>                    | Power Switch, Menu, Select (+,-),                       |
| <b>OSD Menu</b>                 | Brightness, Contrast, H/V Position, Color, Phase, Clock |
| <b>Optional</b>                 | Touch Screen  |



Note :

O.D : Outline Dimension

B.O : Bezel Opening

A.A : LCD Active Area

LVDS Conector:FI-RE51S-HF or equivalent