



RL2300LDVFD

2X20 SLIM&TRUE FLAT SCREEN VFD - PERFECTLY FITS YOUR BEZEL-FREE POS SYSTEM

- Supports 11 command modes included EPSON and Logic Control command.
- Power supply from 5V to 12V to prevent any mindless use of improper power input.

- Interface: USB / RS232 / Ethernet / Wi-Fi / Bluetooth
- Green / Blue Filter available
- OPOS/JPOS driver is standard



Stand-alone model with one pole

Flat Screen Design



Attached to the base without pole



Flat Screen fits bezels system perfectly



Standard VESA 75x75 for year mounting (integrated) type



RL2300LDVFD

2X20 SLIM&TRUE FLAT SCREEN VFD - PERFECTLY FITS YOUR BEZEL-FREE POS SYSTEM

GENERAL

Display Method	Vacuum Fluorescent Display (Blue-green)
Number of Characters	40 (20 columns x 2 lines)
Brightness	500~1000 cd/m2
Character Font	5 x 7 dot matrix
Character Type	95 Alphanumeric, 32 International Characters
Character Size	6.75(H) x 3.75(W) mm
Dot Size (X x Y)	0.55 x 0.75 mm
Download Characters	9 characters
Height	4.70" (120mm) with stand-alone base; 9.80" (250mm) with base and 1 extension
Panel Dimension	145(W) x 45(H) x 22(D) mm
Pole Dimension	130(H) x 33(Dia) mm for 1 pole, default package has 2 poles
Base Dimension	182.5(W) x 74.8(H) x 100(D) mm
Viewing Angle	Max. 90°
Horizontal Rotation	Max. 355°
Weight	Approx. 980 grams

COMMANDS MODE

Ultimate, LD220, EPSON, AEDEX, UTC/S, UTC/P, ADM788, DSP800, CD5220, EMAX,

LOGIC CONTROL

LANGUAGE SUPPORT

US English, Int'l English, Bosnia, Croatian, Czech, Danish, Dutch, Estonian, Faroese, Finnish, Flemish, French, Fr Canadian, German, Greek, Hebrew, Hungarian, Icelandic, Indonesian, Irish, Italian, Katakana, Latvian, Lithuanian, Norwegian, Polish, Portuguese, Romanian, Russian, Slovene, Slovak, Spanish, Swedish

INTERFACE

USB / RS-232 (serial) / Ethernet / Wi-Fi / Bluetooth

CONNECTION

Baud Rate Direct connection 9600 or 19.200 bps

RELIABILITY

MTBF 30.000 hours

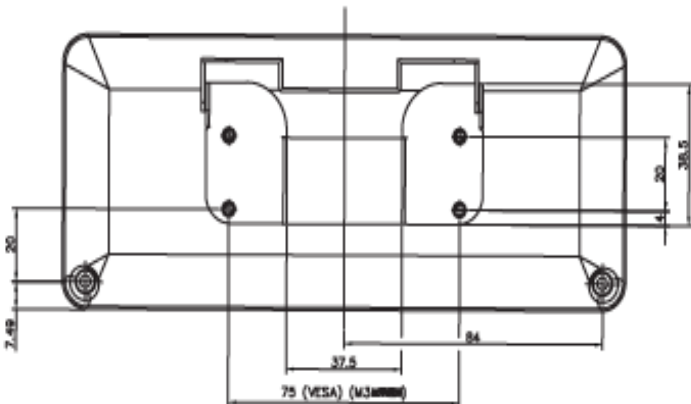
POWER

Consumption 5~12 VDC

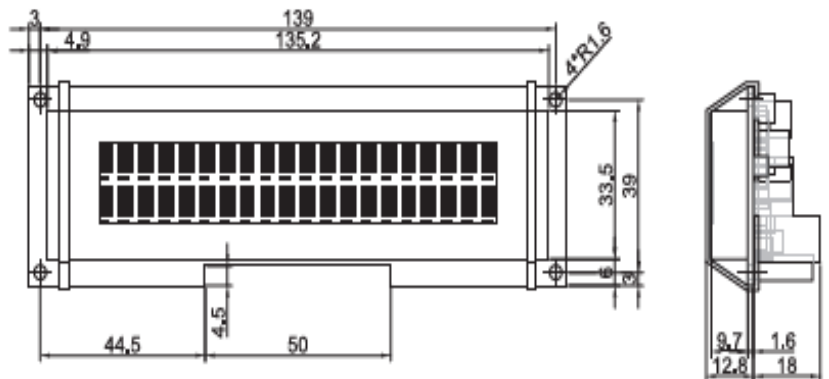
SAFETY

EMC standards / safety standards FCC, CE

Integrated (Rear Mounting) available



Panel Module Kit available



*Product specifications subject to change without prior notice